



**Description:** Modular recessed LED system with direct emission, consisting of an extruded aluminum profile, which can be used both individually and in a continuous row to create cuts of light without interruptions.

**Body:** 6060 T5 alloy aluminum profile, painted in "dry" white color with thermosetting epoxy powders at 180 ° C, after degreasing, phosphating and washing treatment. Other colors according to the RAL range are available on request. Supplied without heads and installation accessories (to be ordered separately).

**Optical group: PMO** optic in microprismatic polycarbonate, UV protected. Glossy white flow recuperator. Controlled light emission optics with luminance values <math><3000\text{ cd / m}^2</math> for emission angles above 65 ° on all planes (UGR <math><19</math>) and therefore compliant to be installed in environments with the use of video terminals according to UNI EN 12464- 1.

Glow-wire test 850 ° C.

Protection degree IP42.

**Wiring:** power supply 220-240V 50 / 60Hz with rigid cable, sect. 0.50 mm<sup>2</sup> and PVC-HT sheath resistant to 90 ° C according to CEI 20-20 standards. Terminal block with maximum allowed cable section 2.5 mm<sup>2</sup>. Insulation class I. Suitable for installation on normally flammable surfaces.

- LED version with electronic driver with fixed output (ON / OFF), included.
  - DALI LED version with standard DALI digital dimmable electronic driver, included.
- Versions with emergency kit (1/3 hours of autonomy) are available on request.

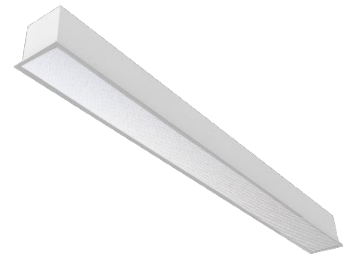
**Luminous source:** High efficiency LEDs arranged on rigid modules, color rendering CRI > 80 (CRI > 90 available on request), color temperature 3000K and 4000K (selected LED diode 3 MacAdam ellipses in order to guarantee uniform chromaticity).

LED TUNABLE WHITE 2700-6500K versions available on request.

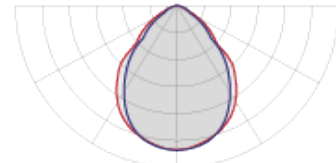
Life of the sources in normal conditions: over 50,000 hours L80 / B10 at Ta = 25 ° C.

**Regulations:** appliance complies with the following standards:

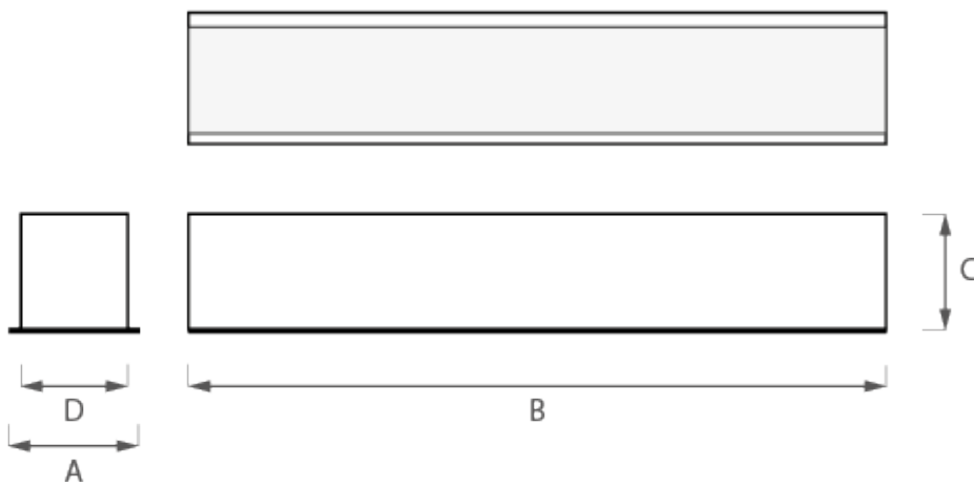
- |                 |                  |                           |
|-----------------|------------------|---------------------------|
| • EN 61547      | • IEC/TR 62471-2 | • EN 60598-2-2            |
| • EN 55015      | • EN 60061-1     | • EN 62471 (risk class 0) |
| • EN 61000-3-2  | • EN 62031       | • EN 62560                |
| • EN 61000-3-3  | • EN 62493       | • EN 60968                |
| • EN 61347-1    | • EN 60598-1     | • CEI 76-10               |
| • EN 61347-2-13 | • EN 60598-2-1   | • EN 60529                |



Demonstration image



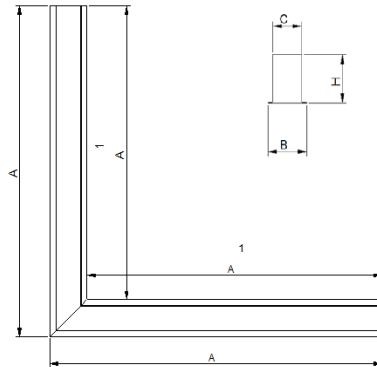
Photometric curve





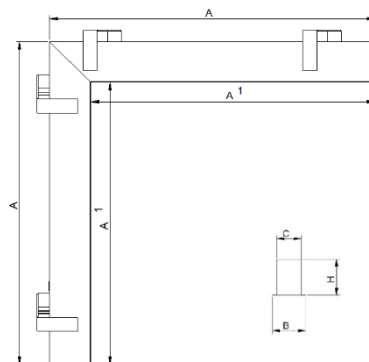
**Linear modules**

Power [W]	Color temperature [K]	CRI	Effective flux [lm] *	Efficiency [lm/W]	Energetic class	Dimensions [mm]					Code / Wiring	
						A*	B	C	H	Recessed ****	LED	LED (DALI)
13	3000	>80	1261	97	A++	561	106	86	95	561x92	760300205	760300206
13	4000	>80	1365	105	A++	561	106	86	95	561x92	760300209	760300210
26	3000	>80	2522	97	A++	1121	106	86	95	1121x92	760300221	760300222
26	4000	>80	2730	105	A++	1121	106	86	95	1121x92	760300225	760300226
39	3000	>80	3783	97	A++	1681	106	86	95	1681x92	760300237	760300238
39	4000	>80	4095	105	A++	1681	106	86	95	1681x92	760300241	760300242
52	3000	>80	5044	97	A++	2241	106	86	95	2241x92	760300253	760300254
52	4000	>80	5460	105	A++	2241	106	86	95	2241x92	760300257	760300258
65	3000	>80	6305	97	A++	2801	106	86	95	2801x92	760300269	760300270
65	4000	>80	6825	105	A++	2801	106	86	95	2801x92	760300273	760300274



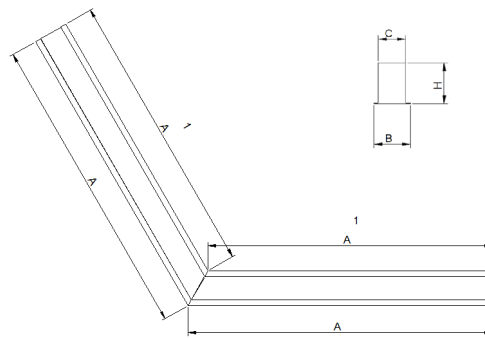
**Ceiling corner modules (90°)**

Power [W]	Color temperature [K]	CRI	Effective flux [lm] *	Efficiency [lm/W]	Energetic class	Dimensions [mm]					Code / Wiring		
						A*	A <sup>1*</sup>	B	C	H	Recessed ****	LED	LED DALI
26	3000	>80	2522	97	A++	630	523	106	86	95	622X534x92	760300319	760300321
26	4000	>80	2730	105	A++	630	523	106	86	95	622X534x92	760300320	760300322



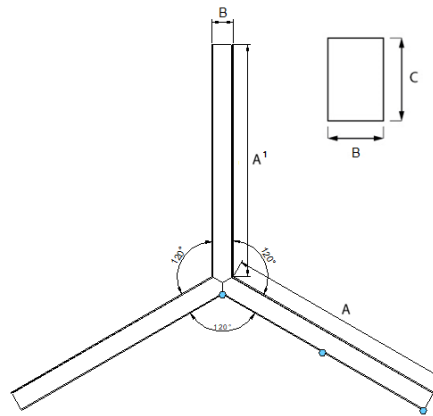
**Wall / ceiling corner modules (90°)**

Power [W]	Color temperature [K]	CRI	Effective flux [lm] *	Efficiency [lm/W]	Energetic class	Dimensions [mm]					Code / Wiring		
						A*	A <sup>1*</sup>	B	C	H	Recessed****	LED	LED DALI
26	3000	>80	2522	97	A++	650	555	106	86	95	650X650X92	760300355	760300357
26	4000	>80	2730	105	A++	650	555	106	86	95	650X650X92	760300356	760300358



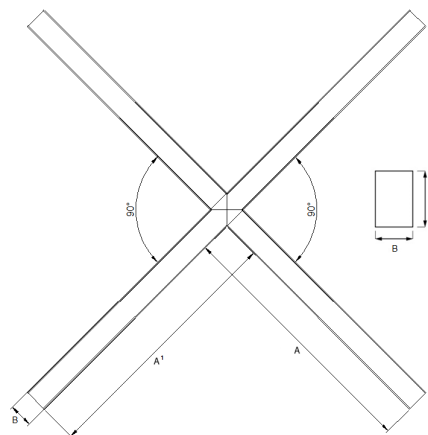
**Corner modules (120°)**

Power [W]	Color temperature [K]	CRI	Effective flux [lm] *	Efficiency [lm/W]	Energetic class	Dimensions [mm]						Code / Wiring	
						A*	A1*	B	C	H	Incasso****	LED	LED DALI
26	3000	>80	2522	97	A++	600	539	106	86	95	597X545X92	760300367	760300369
26	4000	>80	2730	105	A++	600	539	106	86	95	597X545X92	760300368	760300370



**Y Geometry**

Power [W]	Color temperature [K]	CRI	Effective flux [lm] *	Efficiency [lm/W]	Energetic class	Dimensions [mm]					Code / Wiring	
						A*	B	C	H	Recessed****	LED	LED DALI
39	3000	>80	3783	97	A++	540	106	86	95	547X92	760300371	760300373
39	4000	>80	4095	105	A++	540	106	86	95	547X92	760300372	760300374





**X Geometry**

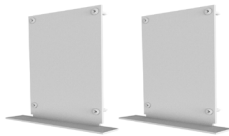
X Geometry						Dimensions [mm]					Code / Wiring	
Power [W]	Color temperature [K]	CRI	Effective flux [lm] *	Efficiency [lm/W]	Energetic class	A*	B	C	H	Recessed****	LED	LED DALI
52	3000	>80	5044	97	A++	515	106	86	95	525X55	760300383	760300385
52	4000	>80	5460	105	A++	515	106	86	95	525X55	760300384	760300386

\* Dimensions excluding the heads (3mm thick each) at the beginning and end of the row.

\*\* Actual flow may have a tolerance of ± 10%

\*\*\* The product is supplied as standard without end caps, to be ordered separately.

**INSTALLATION ACCESSORIES**



**COD. TC760204**

End caps in aluminum painted in DRY WHITE color.  
2-piece kit.



**COD. KFS760200**

Union bracket for installation in a continuous line, made of galvanized steel.  
Fixing screws supplied.